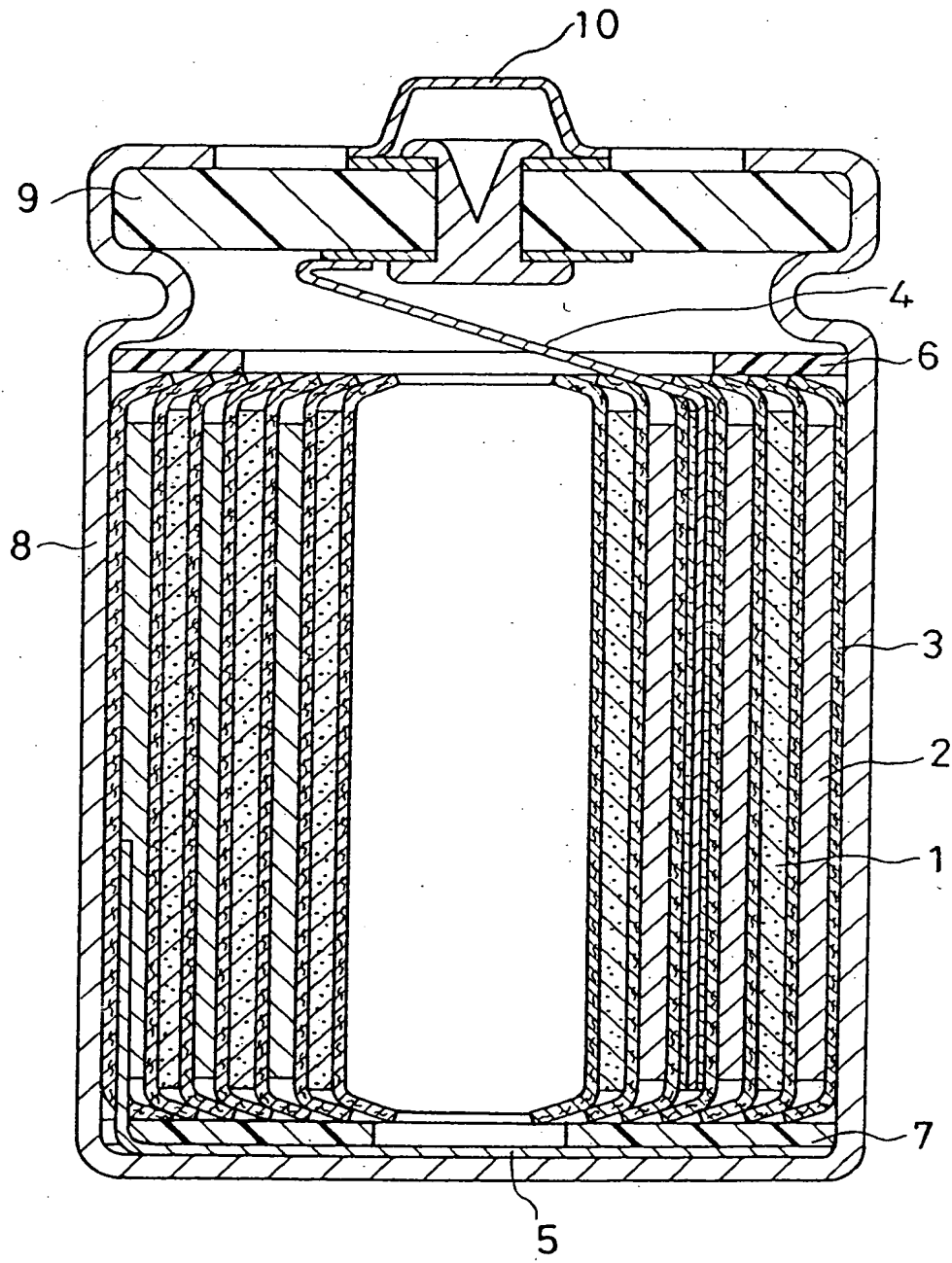


Fig. 1

BEST AVAILABLE COPY



09/762220